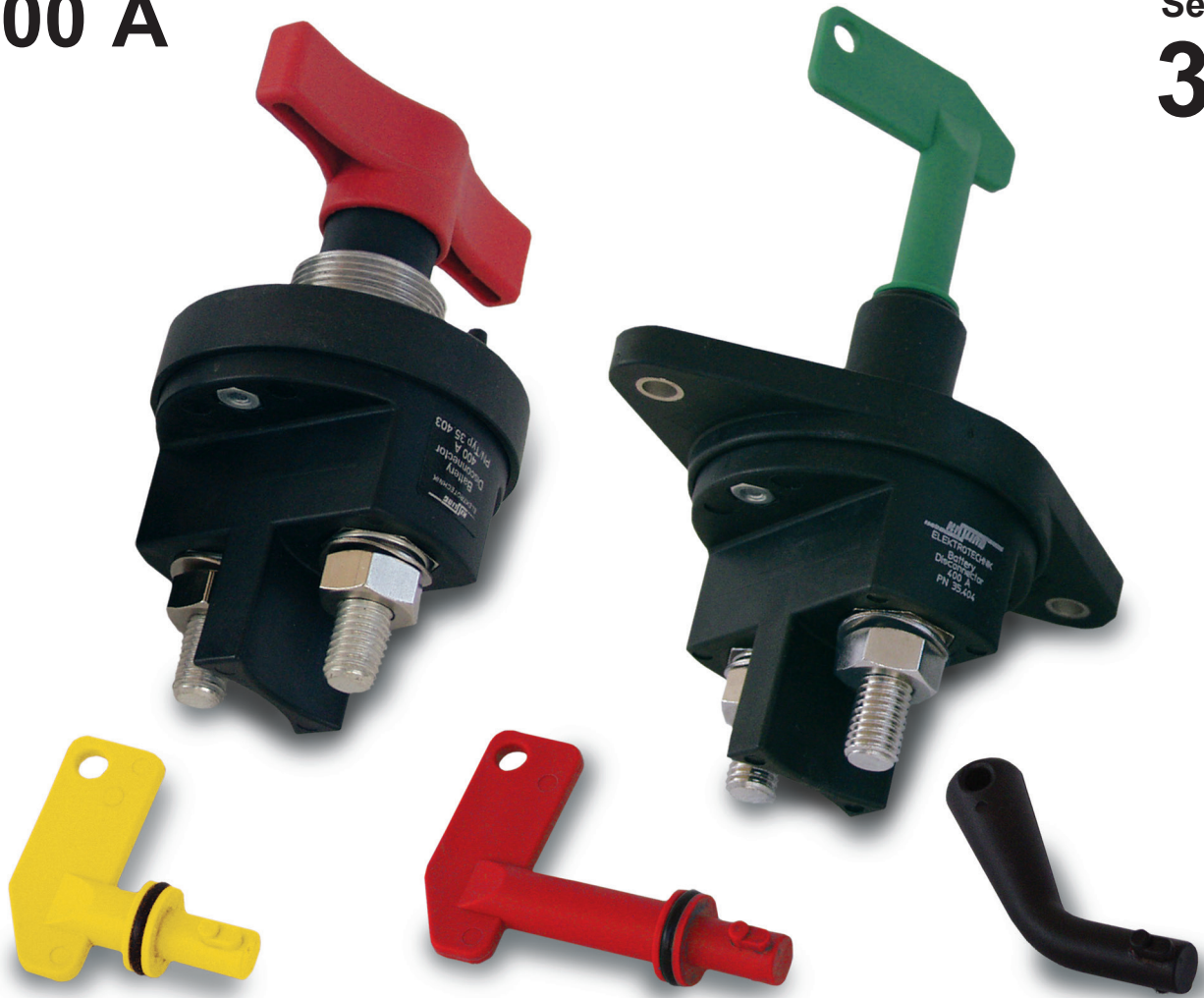


# BATTERY DISCONNECTOR



**400 A**

**Series  
35**



Mechanical operated battery disconnecter current to 400 Amp for highest requirements used in all vehicles.

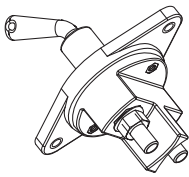
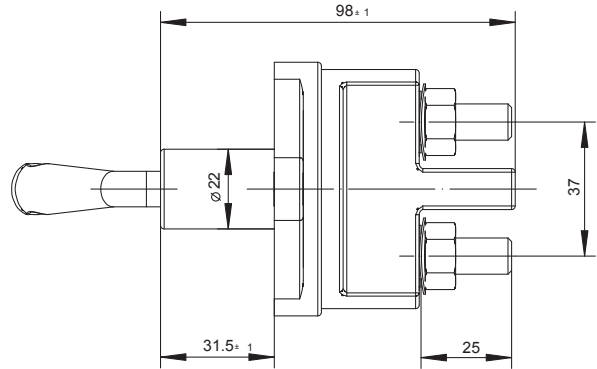
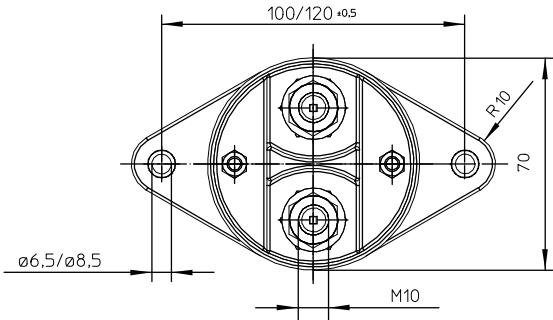
Single pole configuration

Seal IP67 and IP6K9K functionable in a ambient temperature  $-40^{\circ}\text{C}$  to  $+85^{\circ}\text{C}$ . Overload current 2000 Amp for 10 sec.

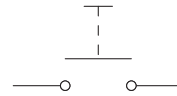
Battery disconnectors from KISSLING are able to be operated under full load, to ensure in emergency conditions a safe disconnection from the battery.

# Dimensions

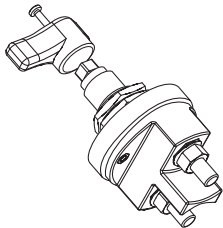
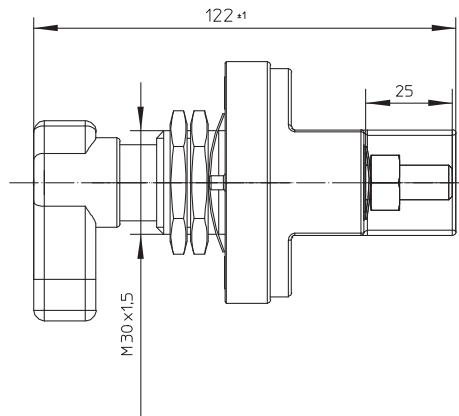
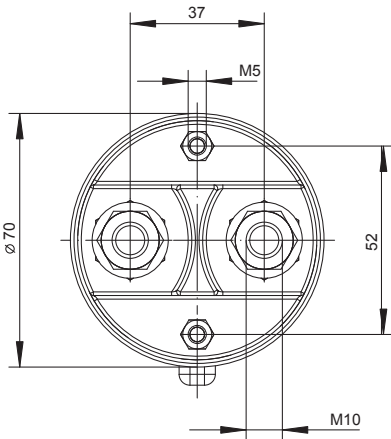
## 1 pole with longflange



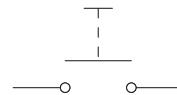
Circuit



## 1 pole with central mounting



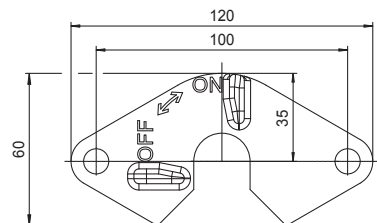
Circuit



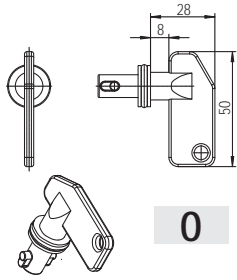
# Accessories

## Keyholder

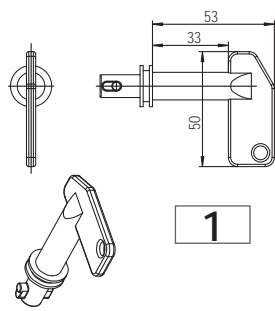
not for switches with central mounting



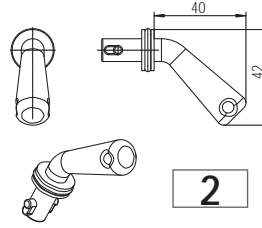
# Keys



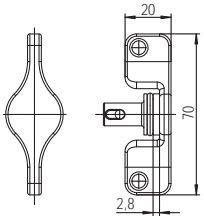
0



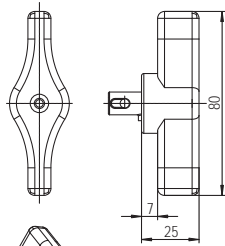
1



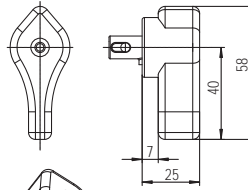
2



3



4



5

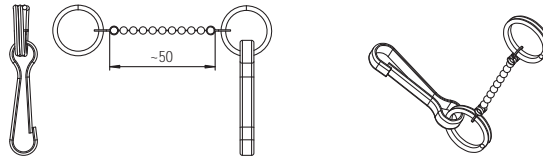
## Key overview

0	Standard
1	Standard long
2	45° turn off
3	T-handle
4	Double wing
5	Pointer key

## Key with chain

6	Standard
7	Standard long
8	45° turn off
9	T-handle

**Key Accessory:**  
Chain, length 50 mm



## Ordering Key

**35.411.100.R**

1 2 3 4 5 6 7 8

**Example**

35.411.100.R

■ Standard version  
□ Options

1	Series
2	Current
3	No. Poles
4	Mounting
5	Thread
6	Key options
7	Key type
8	Key colour

- 4 400 A
- 1 1-pole
- 1 Longflange 100 / Ø 6,5
- 2 Longflange 120 / Ø 6,5
- 3 Central mounting
- 4 Longflange 100 / Ø 8,5
- 5 Longflange 120 / Ø 8,5
- 1 M10
- 2 M12
- 0 Removeable
- 1 Not removeable
- R Red
- S Black
- GN Green
- GE Yellow

Special types upon request

## Technical Data

### Environmental Characteristics

Temperature range	-40°F to +185°F
Protection	IP67 / IEC 529
Vibration	4G (50-2000 Hz)
Shock	6G, 11 msec
Weight 1-pole	0.8 pound

### Max. torque

Thread sizes	M10 = 15-20 Nm / M12 = 18-22 Nm
--------------	---------------------------------

### Electrical characteristics

Min. Isulation Resistance	100 MΩ
Dielectric withstanding voltage	1050 V / 1 min at 50 Hz
max. Contact drop at max. Load	150 mV
Voltage Range	up to 32 V
Duty rating, continous	400A
Overload	1200A - 240 sec
	1600A - 90 sec
	2000A - 10sec

<b>Wire section</b>	min. 240 mm <sup>2</sup>
<b>Mounting position</b>	optional



KISSLING Electrotec Inc.  
320 A Business Parkway  
Greer, SC 29651 USA  
Telefon: +1 864-848-9766  
Telefax: +1 864-848-9767  
E-mail: [info@kissling.us](mailto:info@kissling.us)  
Internet: [www.kissling.us](http://www.kissling.us)