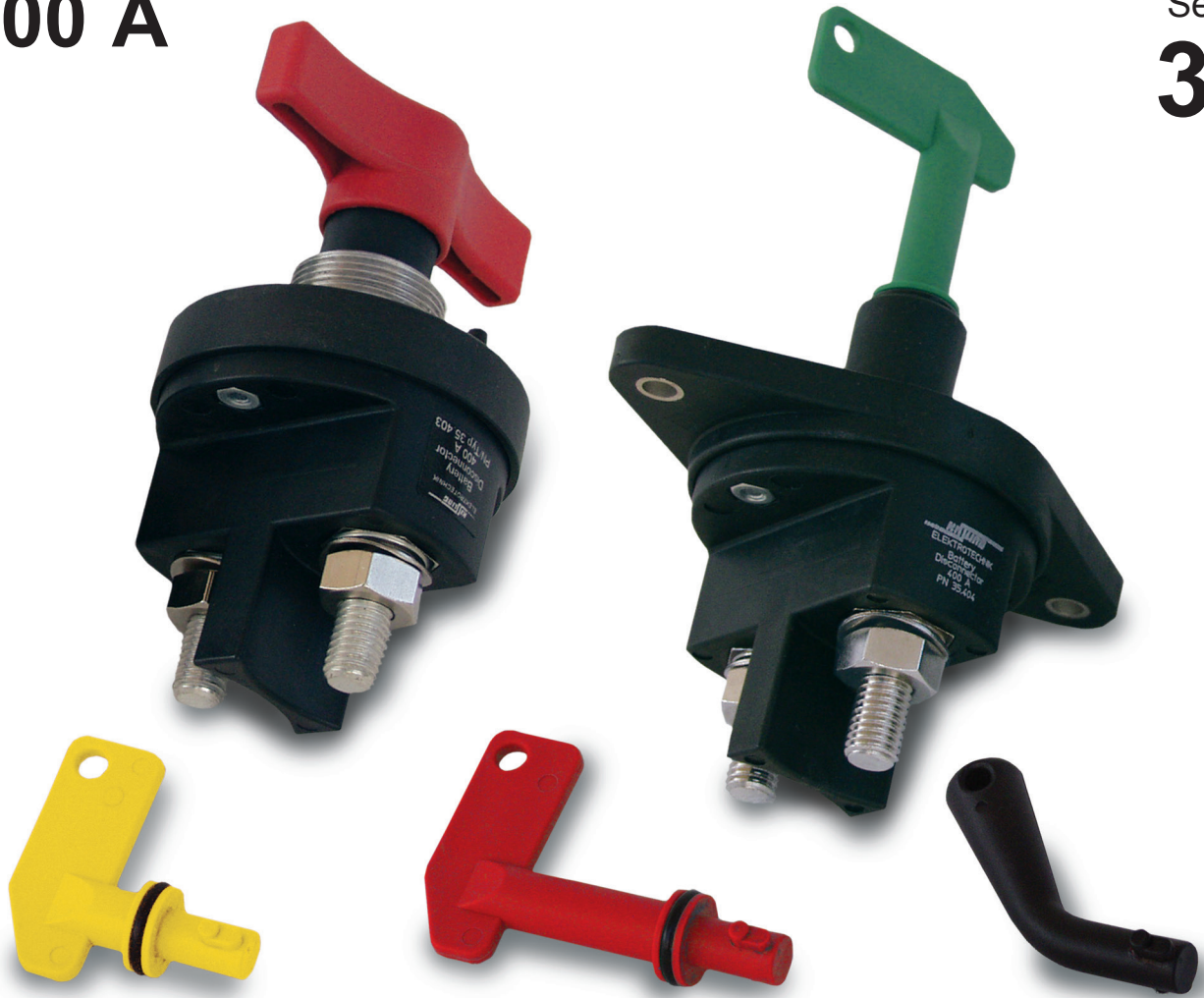


BATTERY DISCONNECTOR



300 A

Series
35



Mechanical operated battery disconnecter current to 300 Amp for highest requirements used in all vehicles.

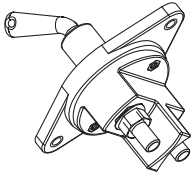
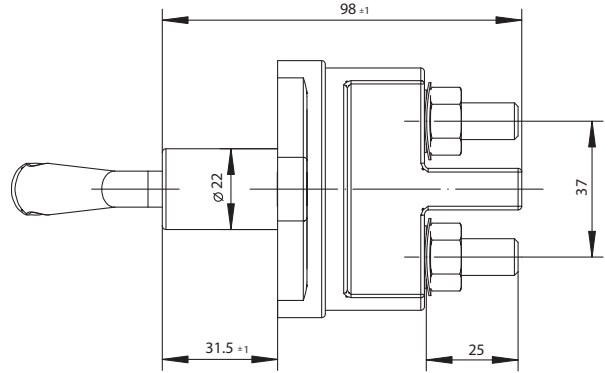
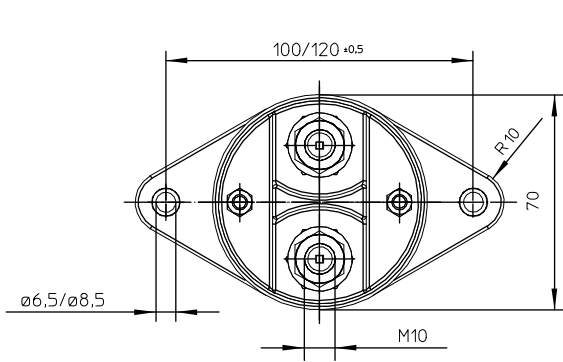
Single pole configuration

Seal IP67 and IP6K9K functionable in a ambient temperature -40°C to $+85^{\circ}\text{C}$. Overload current 2000 Amp for 10 sec.

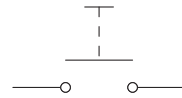
Battery disconnectors from KISSLING are able to be operated under full load, to ensure in emergency conditions a safe disconnection from the battery.

Dimensions

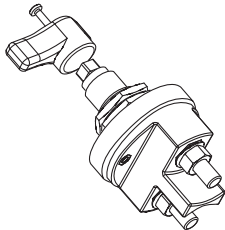
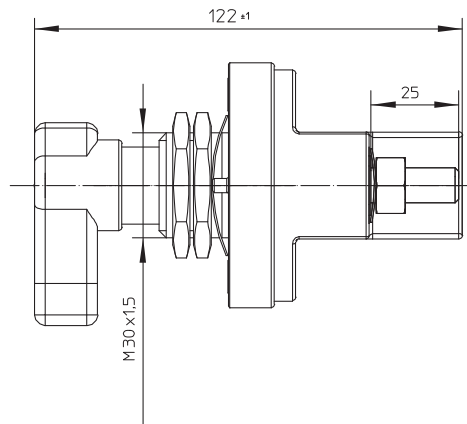
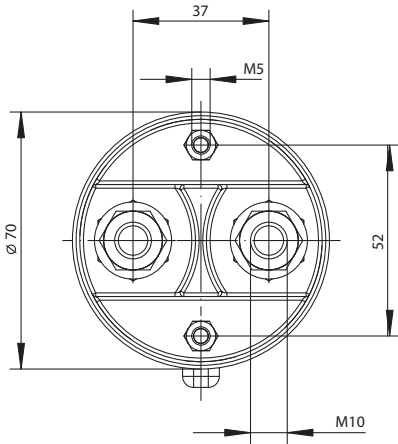
1 pole with longflange



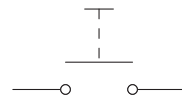
Circuit



1 pole with central mounting

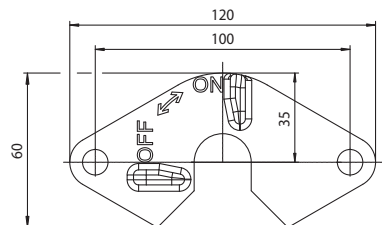


Circuit

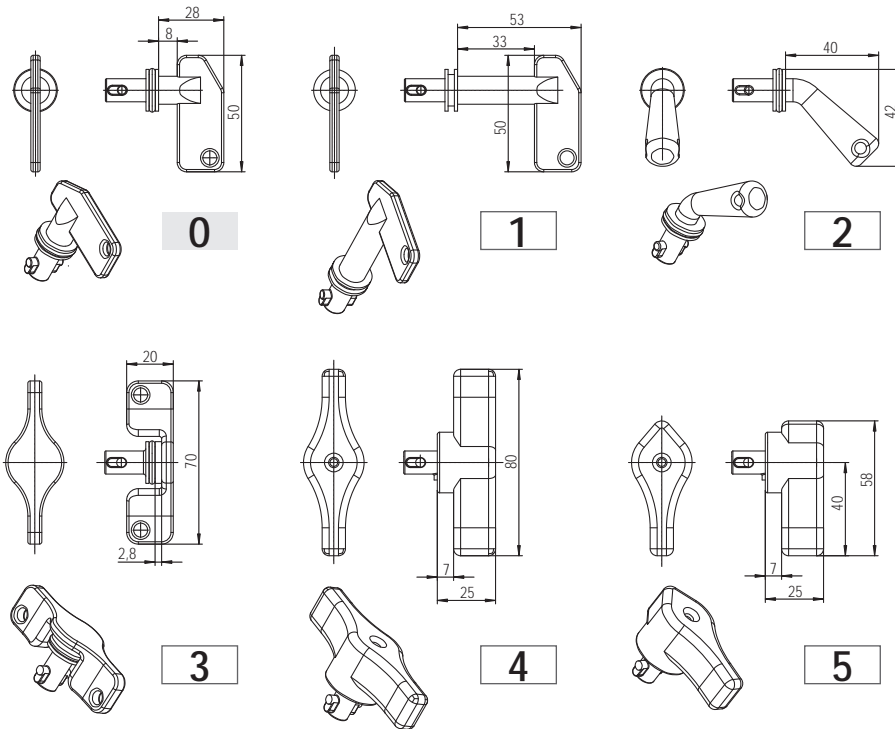


Accessories

Keyholder not for switches with central mounting



Keys



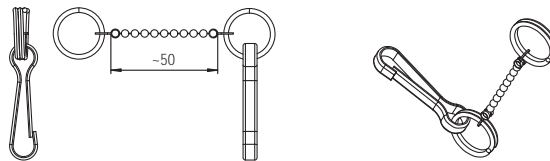
Key overview

0	Standard
1	Standard long
2	45° turn off
3	T-handle
4	Double wing
5	Pointer key

Key with chain

6	Standard
7	Standard long
8	45° turn off
9	T-handle

Key Accessory:
Chain, length 50 mm



Ordering Key

35.314.131.S

1 2 3 4 5 6 7 8

Example

35.314.131.S

■ Standard version
□ Options

1	Series
2	Current
3	No. Poles
4	Mounting
5	Thread
6	Key options
7	Key type
8	Key colour

3 300 A

1 1-pole

1 Longflange 100 / Ø 6,5

2 Longflange 120 / Ø 6,5

3 Central mounting

4 Longflange 100 / Ø 8,5

5 Longflange 120 / Ø 8,5

1 M10

2 M12

0 removeable

1 not removeable

R Red

S Black

GN Green

GE Yellow

Special types upon request

Technical Data

Environmentally Characteristics

Temperature Range		-40°F to +185°F
Protection	I	P67 / IEC 529
Vibration		4 G (50-2000 HZ)
Shock		6 G, 11 msec
Weight		0.8 pound

Max. torque

Thread sizes		M10 = 15-20 Nm M12 = 18-22 Nm
--------------	--	---------------------------------

Electrical Characteristics

Min. Insulation Resistance		100 MΩ
Dielectric withstanding voltage		1050 V / 1 min at 50 Hz
Max. Contact drop at max. Load		150 mV
Voltage Range		up to 32 V
Duty rating, continuous		300 A
Overload		1200 A - 4 min
		1600 A - 1.5 min
		2000 A - 10 sec

Wire section	min. 240 mm ²
Mounting position	Optional



KISSLING Electrotec Inc.
320 A Business Parkway
Greer, SC 29651 USA
Telefon: +1 864-848-9766
Telefax: +1 864-848-9767
E-mail: info@kissling.us
Internet: www.kissling.us